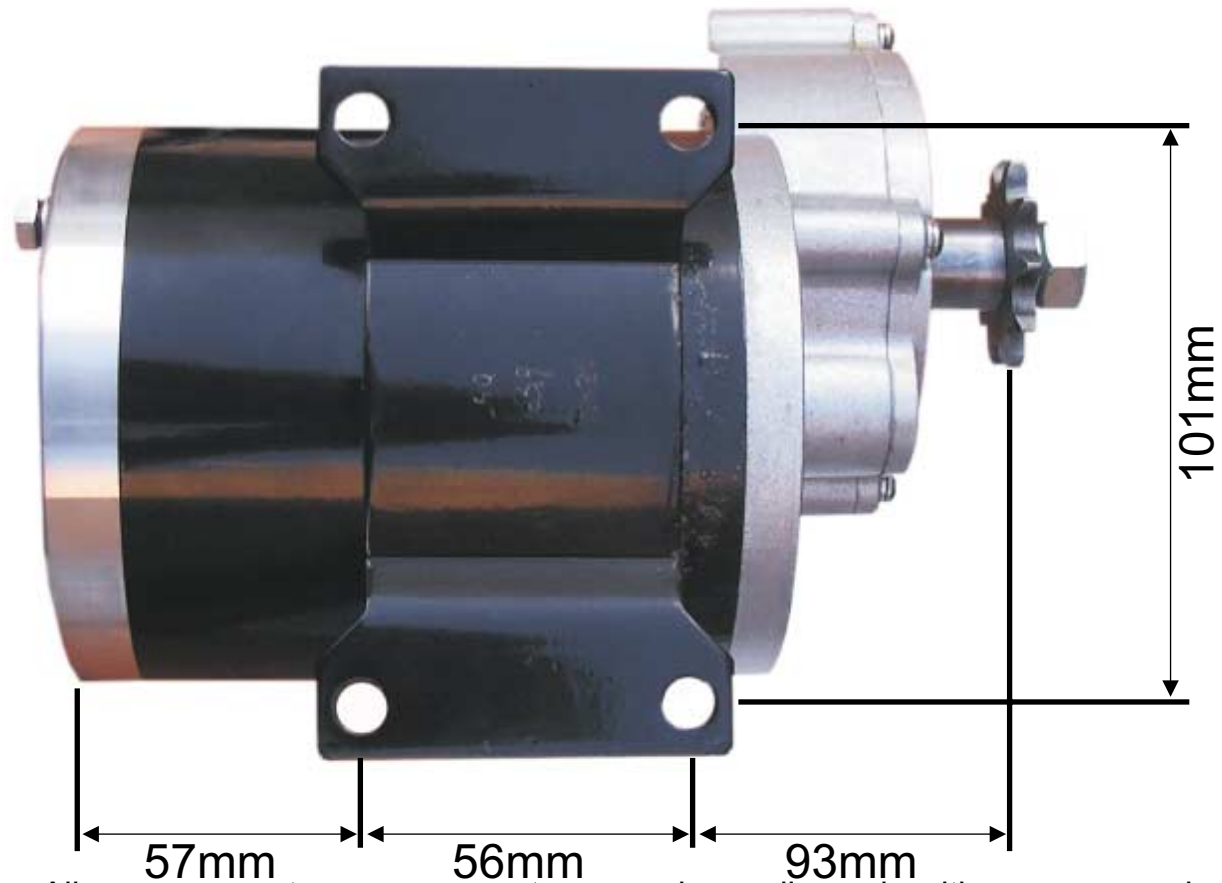


# SC750G GEARED MOTOR



All measurements are as accurate as can be easily made with a common ruler